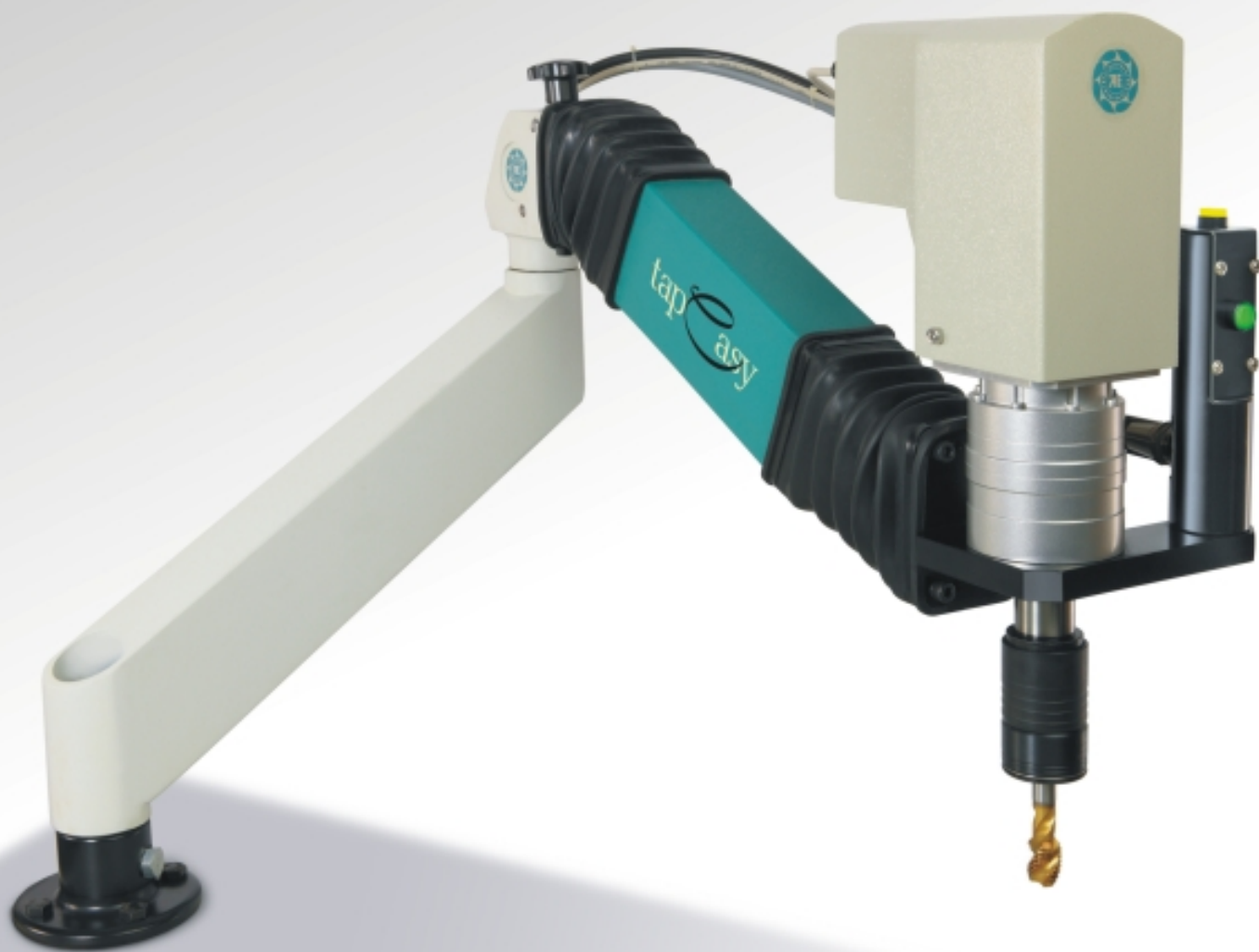
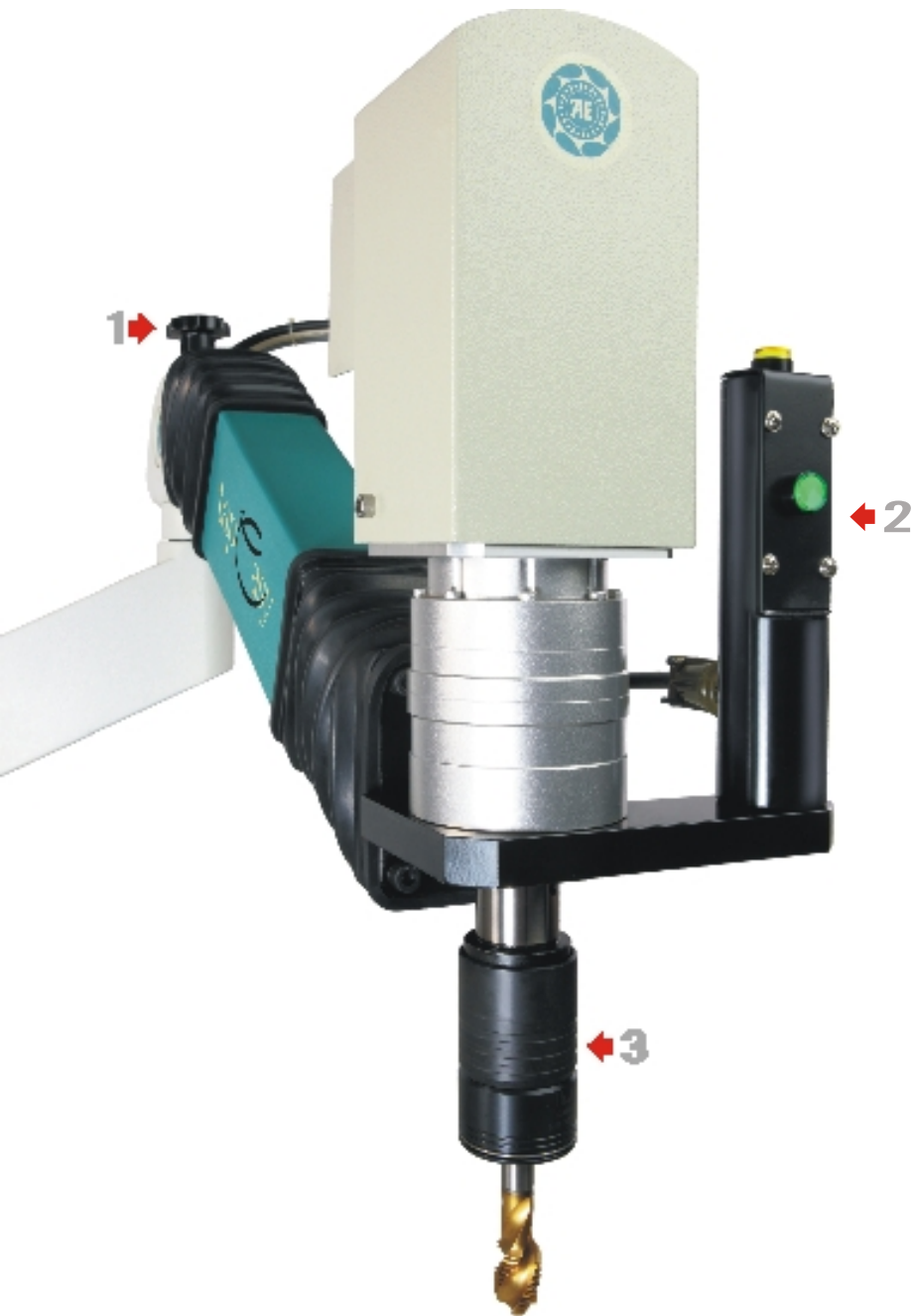


tapEasy



Tapping made Easy



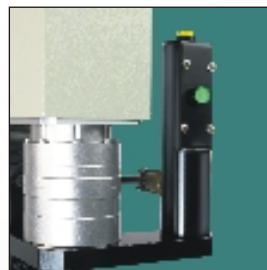
tap easy

Electric

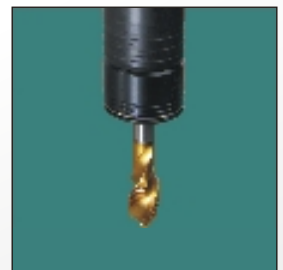
'Tap Easy' a unique tapping machine with an articulated arm. This unique feature helps in tapping a hole anywhere within the prescribed area of 1-Meter radius. Higher radius are also available on demand. This machine is having a range to tap holes from M3 to M24.



**1 Tension adjusting knob**  
This is a customer friendly feature incorporated to assist the operator to adjust the force he has to apply while locating the tapping head in line with the hole.



**2 Easy grip with on/off & forward/reverse switch**  
This facilitates operator for easy forward / reverse operation.



**3 Quick change tap chuck**  
This helps in holding various tap holders firmly and saves time in changeover.



'Tap Easy' consists of a specially designed arm facilitated with vertical tapping head for vertical tapping and universal tapping head (Optional) for horizontal as well as angular tapping.

'Tap Easy' is available in three different models to suit your requirements.

Model	Tapping Capacity Min / Max	Spindle Speed RPM	Power Supply	Motor Wattage	Operating Radius
TapEasy E-312 V	M 3 to M 12	200 to 480	220 V Single Phase 50 Hz AC	750 Watt.	1000 mm
TapEasy E-320 V	M 3 to M 20	80 to 225		750 Watt.	1000 mm
TapEasy E-324 V	M 3 to M 24	50 to 225		1000 Watt.	1000 mm

#### 'Tap Easy' applications :

- ◆ Tapping
- ◆ Re-tapping
- ◆ Reaming
- ◆ Counter sinking

#### 'Tap Easy' feature :

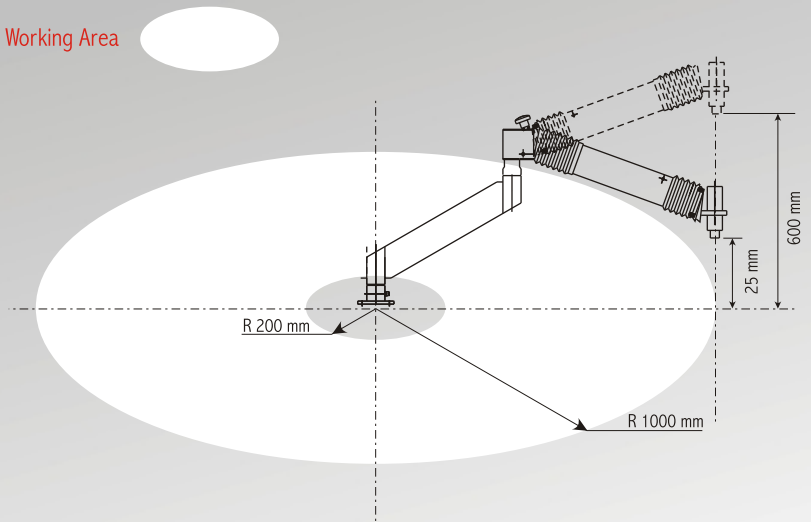
- ◆ Articulated Arm with Floating head for taking center of hole automatically.
- ◆ Electric Operated multiple speed at hand grip improves productivity.
- ◆ Very low power consumption.
- ◆ Best suitable for multiple holes on large surface.
- ◆ Depth control using PLC and MMI on demand

#### 'Tap Easy' Benefits :

- ◆ Stop Tap breaking
- ◆ Reduce rejection cost.
- ◆ Reduces operating cost.
- ◆ Solve GO-NOGO gauge answering problems.
- ◆ Reduces labor cost by avoiding skilled operator.



CONTROLLER



Optional Accessories

**Quick Change Safety Tap Holder :**  
Clutch incorporated Tap Holder ensure controlled torque while tapping and avoid tap breakage.



**Magnetic Base :**  
250 x 250 x 100 (LWH)  
for easy mounting of 'TapEasy' on larger plates and heavy work.



**Table :**  
700 x 900 x 850 (LWH)  
provided with revolving castors.

Specifications are subject to change without prior notice. ♦ Accessories shown are not part of standard equipment.



**ALFATECH ENGINEERS PVT. LTD.**

Opp. Dhawan's Nursery, Rambaug Lane, Upvan,  
Pokharan Road No. 1, Thane - 400 606.

Maharashtra (INDIA)

Phone : ++91-22-25888613

: ++91-20-25888614

Email : [alfatechengineers@gmail.com](mailto:alfatechengineers@gmail.com)

[alfatech@mtnl.net.in](mailto:alfatech@mtnl.net.in)

Web : [www.tapeasy.net](http://www.tapeasy.net)

[www.alfatechengineers.com](http://www.alfatechengineers.com)

Authorised Dealer